

GERNERAL SPECIFICATIONS

Step Angle(Accuracy)----- 1.8°(±5%)
 Resistance Accuracy ----- ±10%
 Inductance Accuracy ----- ±20%
 Temperature Rise ----- 80°C Max.
 Ambient Temperature ----- -10°C~50°C
 Insulation Resistance ----- 100Mohm Min, 50VDC
 Dielectric Strength ----- 500VAC for one minute
 Shaft Radial Play ----- 0.06Max. (450 g-load)
 Shaft Axial Play ----- 0.08Max.(450 g-load)

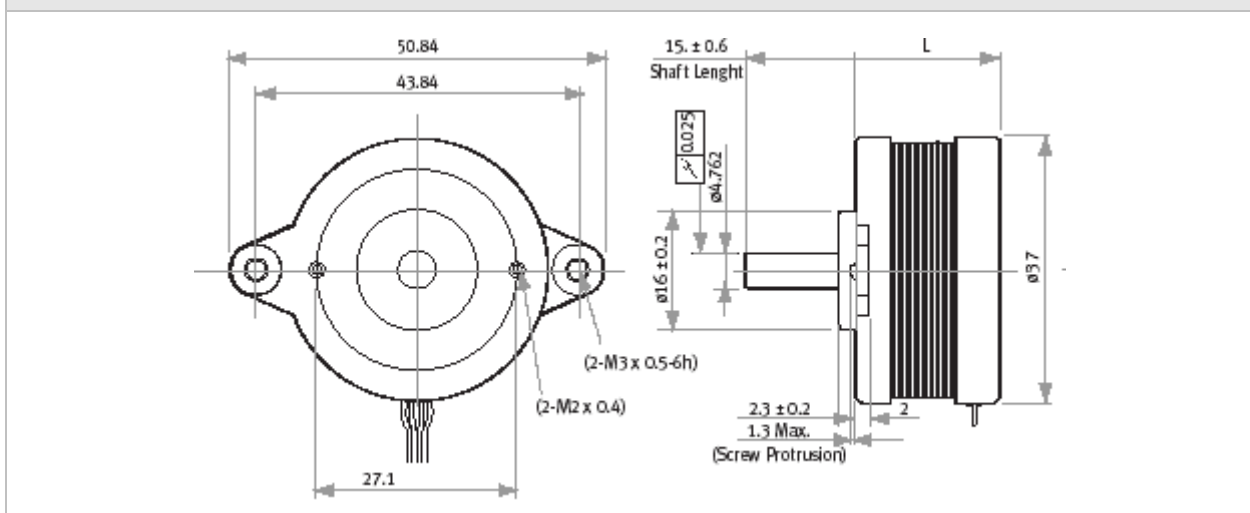
Picture



Electrical Specification

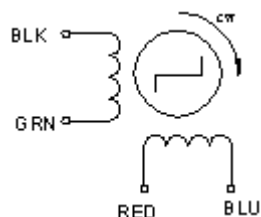
Series Model	Step Angle (°)	L (mm)	Rated Current (A)	Phase Resistance (Ω)	Phase Inductance (mH)	Holding Torque (N.cm)	Detent Torque (N.cm)	Lead Wire (NO.)	Motor Weight (g)
H364-00403	0.9	15.2	0.3	16.8	8.5	3.6	0.3	4	55
H364-00905	0.9	19.8	0.45	15	8.2	8.8	0.5	4	95

Mechanical Dimensions



Standard Leadwire Configuration

BI-POLAR(4 LEADS)



Complementary Products:

- Special shaft
- Encoders
- Connector
- Long leadwires