

HYBRID STEPPER MOTOR

H601(60mm) – 1.8°/step, 2/4 Phase

GERNERAL SPECIFICATIONS

Step Angle(Accuracy)----- 1.8°(±5%)
 Resistance Accuracy ----- ±10%
 Inductance Accuracy ----- ±20%
 Temperature Rise ----- 80°C Max.
 Ambient Temperature ----- -10°C~50°C
 Insulation Resistance ----- 100Mohm Min, 50VDC
 Dielectric Strength ----- 500VAC for one minute
 Shaft Radial Play ----- 0.06Max. (450 g-load)
 Shaft Axial Play ----- 0.08Max.(450 g-load)

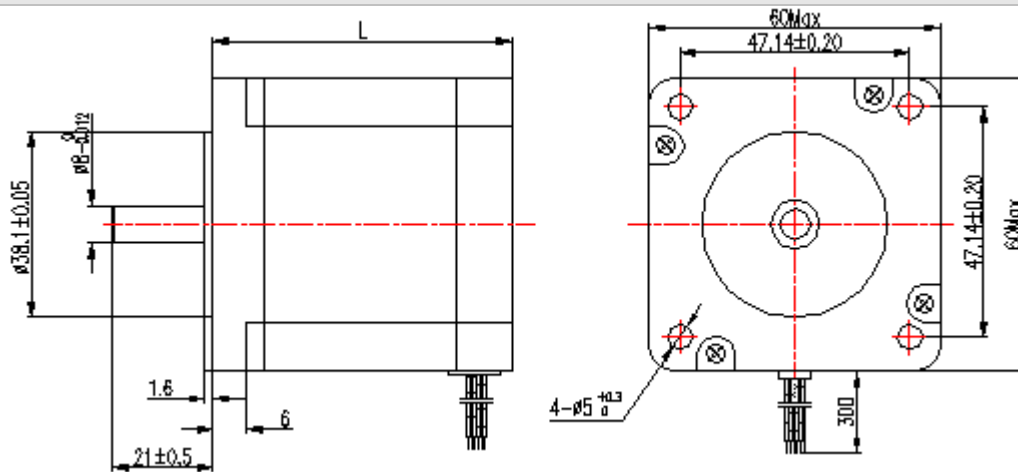
Picture



Electrical Specification

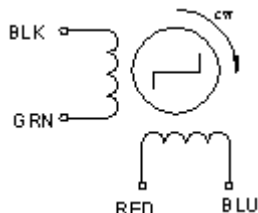
Series Model	Step Angle (°)	L (mm)	Rated Current (A)	Phase Resistance (Ω)	Phase Inductance (mH)	Holding Torque (N.cm)	Detent Torque (N.cm)	Lead Wire (NO.)	Motor Weight (g)
H601-07520	1.8	41	2.0	1.2	2.5	75	3.0	4	500
H601-08525	1.8	45	2.5	1.0	2.2	85	3.5	4	550
H601-14025	1.8	51	2.5	1.2	3.2	140	4.0	4	580
H601-16025	1.8	56	2.5	1.3	4.2	160	4.0	4	580
H601-16030	1.8	56	3.0	0.8	2.4	160	4.0	4	580
H601-16042	1.8	56	4.2	0.4	1.2	160	4.0	4	580
H601-18025	1.8	64	2.5	1.5	4.5	180	5.0	4	850
H601-18030	1.8	64	3.0	0.8	2.3	180	5.0	4	850
H601-18042	1.8	64	4.2	0.55	1.2	180	5.0	4	850
H601-22025	1.8	76	2.5	1.8	6.5	220	7.0	4	1150
H601-22030	1.8	76	3.0	1.0	3.5	220	7.0	4	1150
H601-22042	1.8	76	4.2	0.6	1.8	220	7.2	4	1150
H601-26030	1.8	90	3.0	1.4	5.5	260	12	4	1400
H601-26042	1.8	90	4.2	0.8	3.0	260	12	4	1400

Mechanical Dimensions



Standard Leadwire Configuration

BI-POLAR(4 LEADS)



Complementary Products:

- Special shaft
- Encoders
- Connector
- Long leadwires