

Application

Printer, Home applications, Auto machine and etc.

Characteristics

No. of Phase: 3
 Insulation Class:B 130 degree
 Dielectric Strength: 500VAC 1Min
 Insulation Resistance:100M Ohm@500VDC

Picture

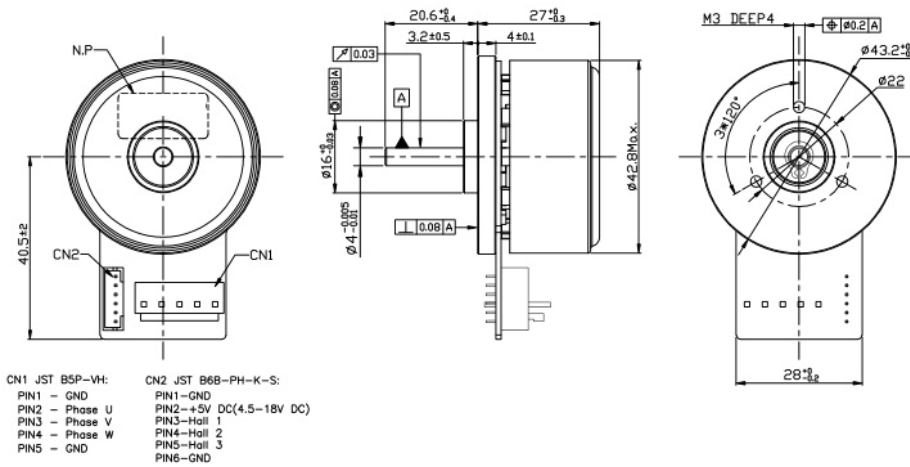


Specification

Model	Resisitance	Rated voltage	Current	Number of poles	Rated speed	Rated torque	Peak torque	Moment constant	Length	Weight
	Ohm	VDC	A		rpm	N. cm	N. cm	N. cm/A		
D425-01332	0.56	24	3.26	16	4840	13	39	3.69	27	150

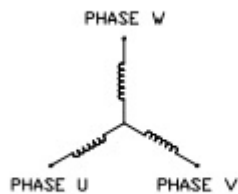
*Note: We can customize the special speed, Voltage, Assembled size.

Mechanical Dimensions



Wiring Diagram

THREE-PHASE CONNECTING



HALL CONNECTION

