

Application

Mixer, Water-pump, Oil-pump, Air-pump and etc.

Characteristics

- Multi poles to increase the output torque
- Non-brush structure and long life design
- High torque density encapsulation
- High performance NdFeB magnet

Picture

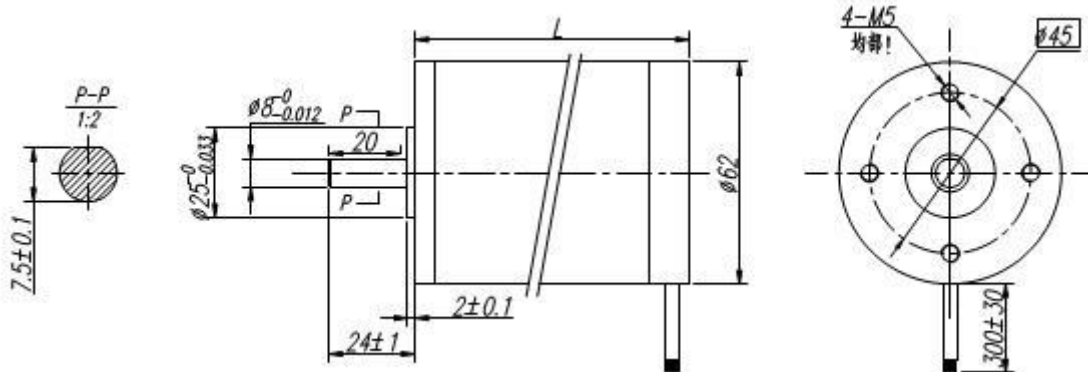


Specification

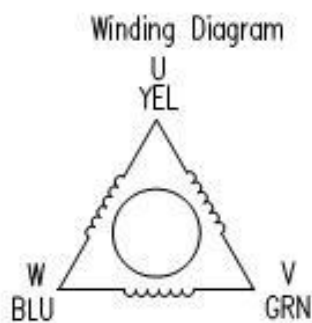
Model	Rated power	Rated voltage	Current	Number of poles	Rated speed	Rated torque	Peak torque	Moment constant	Length	Weight
	W	VDC	A		rpm	N. cm	N. cm			
D625-01325	39	24	2.5	8	3000	12.5	37.5	5	56.5	0.95
D625-02550	78	24	5.0			25	75		76.5	1.3
D625-03875	117	24	7.5			37.5	125		96.5	1.65

*Note: We can customize the special speed, Voltage, Assembled size.

Mechanical Dimensions



Wiring Diagram



Holzer Sensor Wiring Diagram

